



## Setting boundaries with Smart Keylock 8800



Fingerprint Password Card USB

Keylock 8800 is a simple access control device, with a mechanical door lock design. The device was designed to be installed on the door of a restricted area, as it has a stainless steel bar latch that functions as a door knob, suitable as an access control tool. The beauty of Keylock 8800 is its simplicity. From installation to administration, Keylock 8800 is wire-free and hassle-free. User management can be done easily at the terminal itself. Keylock 8800 manages to stay wireless due to its battery operated power source, and its USB flash disk feature. To sum it up, Keylock 8800 is a user-friendly product which, despite its size, contains the features that you need in an access control device.



### Simple Outlook

Keylock 8800 was designed with simplicity in mind. Its user friendliness is derived from its combination of a small LCD display, and a total of only 5 simple buttons.



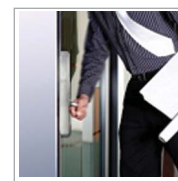
### Simple USB Data Transfer

All you need is a USB flash disk to transfer transaction logs from Keylock 8800 to your computer. It is that easy!



### Multi-Verification Methods

Keylock 8800 is still able to accept all three fingerprint, password, and RFID card verifications (or a combination of the above) for user convenience.



### Visitor-Friendly

Expecting unregistered guests? The Keylock 8800 has just the option: a visitor mode that allows free access of the secured area when activated.



### Minimal Space Usage

Keylock 8800 installation is done on the door itself. There is no more need to lose precious time contemplating about wall space or positioning.



### No Wiring, No Worrying!

The power for Keylock 8800 is supplied using 4 AA alkaline batteries, which can last for 5000 unlockings, with a battery life indicator located on the top left corner of the LCD screen. No more hassle of wiring!



### Improved Sensor Technology

Keylock 8800 has a new and improved fingerprint matching technology that verifies fingerprints in less than 1 second.



### Simple Terminal Management

Addition, deletion and amendment of users can be easily done at the Keylock 8800 terminal itself using an administrator card. These processes are also made easy with indicators on the LCD screen.

## WEB LINK



• <http://info.fingertec.com/keylock8800-1>



• <http://info.fingertec.com/keylock8800-2>



• <http://info.fingertec.com/keylock8800-3>



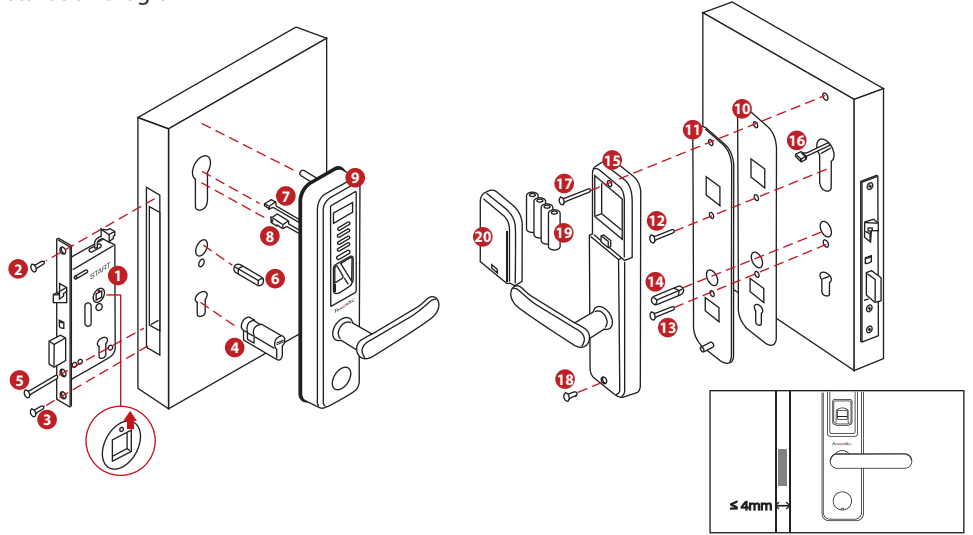
• <http://info.fingertec.com/keylock8800-4>



• <http://info.fingertec.com/keylock8800-5>

## LAYOUT PLAN

### Installation Diagram



## SPECIFICATIONS

<b>MODEL</b>	Keylock 8800	
<b>SURFACE FINISHING</b>	Zinc alloy	
<b>TYPE OF SCANNER</b>	Optical	
<b>DISPLAY</b>	OLED black and white display	
<b>PROCESSOR</b>	400 MHz microprocessor	
<b>MEMORY</b>	4MB flash memory	
<b>ALGORITHM</b>	BioBridge VX 9.0	
<b>RESOLUTION OF SCANNER (dpi)</b>	560	
<b>PRODUCT DIMENSION (L X W X H), mm</b>	Front panel 150 x 85 x 310 (with handle) 70 x 35 x 310 (without handle)	Back panel 150 x 80 x 310 (with handle) 70 x 30 x 310 (without handle)
• Thickness of door (mm)	35-55	
• Door latch type	Mortise, 3-tongue	
• Inner lock switch	Yes	
<b>STORAGE</b>		
• Fingerprint templates	500	
• Card capacity	100	
• Password	100	
• Transaction logs	30000	
<b>ENROLLMENT &amp; VERIFICATION</b>		
• Methods	Fingerprint (1:1, 1:N), Card & Password	
• Recommended fingerprint per user ID	2	
• Fingerprint placement	Any angle	
• Verification time (sec)	< 1	
• FAR (%)	< 0.0001	
• FRR (%)	< 1	
• Length of password (bytes)	8	
<b>CARD TECHNOLOGY</b>		
• RFID: 64-bit, 125kHz	Yes (default)	
• MIFARE: MFIS50/S70, 13.56MHz	Made to order	
• HID: HID 1326, 26-bit, 125kHz	Made to order	
<b>COMMUNICATIONS</b>		
• Method	USB flash disk	
<b>OPERATING ENVIRONMENT</b>		
• Temperature (°C)	0 ~45	
• Humidity (%)	20 ~ 80	
• Power input	4 x 1.5V AA alkaline battery	
• Power consumption – static (uA)	< 40	
• Power consumption – activity (mA)	< 100	
• Power consumption – driving (mA)	< 400	
• Antistatic voltage (V)	> 1500	
• Low battery warning voltage (V)	< 4.67	
<b>BACKUP UNLOCK MECHANISM</b>	9VDC battery & mechanical key	
<b>DISPLAY LANGUAGE (TERMINAL)</b>	English (Standard), Arabic, Indonesian, Chinese (Traditional), Chinese (Simplified), Spanish, Persian. <i>Other languages are available upon request.</i>	



### Packaging

Dimension (mm): 410 (L) x 140 (W) x 225 (H)  
Weight : 5.15kg

NOTE: Specifications are subject to change. Check <http://product.fingertec.com> for latest product information.

Authorized Reseller:



**FINGERTEC**  
www.fingertec.com

© 2013 FingerTec Worldwide Sdn. Bhd. All rights reserved.