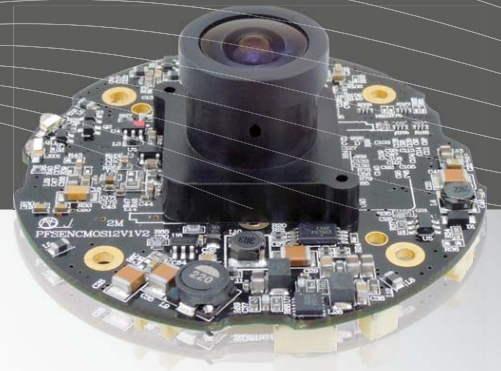


# SHANY

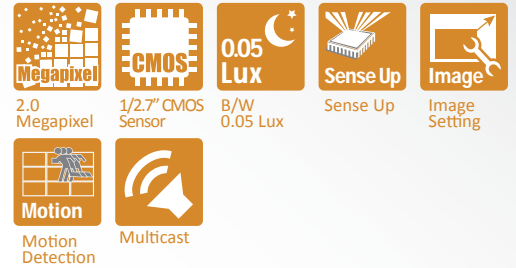
## 2.0 Megapixel 1080P IP Board Camera SNC-220

- 1/2.7" 2.0 Megapixel Progressive CMOS Sensor
- 1920x1080P@30fps (1080P) ; H.264 High Profile, MPEG4, M-JPEG
- Color:0.2Lux@F1.2, B/W:0.05Lux@F1.2, Sense-up:0.001Lux@F1.2
- Shutter Mode (Auto/Manual)
- Sense Up Function
- Image Setting Functions
- Support Multicast
- Support 12Vdc Power Input
- Support ONVIF 2.0

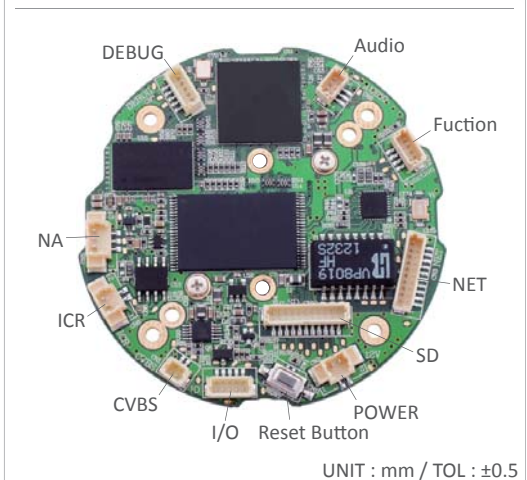
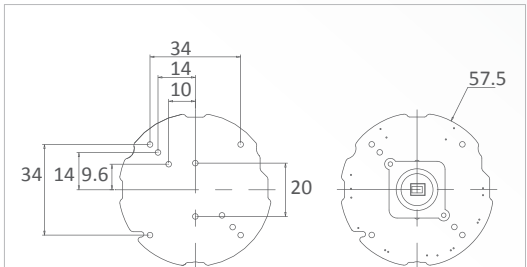


### Specifications

|                           |                              |  |                               |
|---------------------------|------------------------------|--|-------------------------------|
| <b>Video</b>              | Image Sensor                 | 1/2.7" 2.0 Megapixel Progressive CMOS Sensor   |                               |
|                           | Video Resolution/Frame Rate  | 1920x1080P@30fps (1080P) ;1280x1024@30fps,<br>1280x960@30fps, 1280x720@30fps, 720x480@30fps  |                               |
|                           | Video Frame Rate             | Up to 30fps for All Video  |                               |
|                           | Video Compression            | H.264 High Profile, MPEG4, M-JPEG  |                               |
|                           | Minimum Illumination         | Color:0.2Lux@F1.2, B/W:0.05Lux@F1.2, Sense-up:0.001Lux@F1.2  |                               |
|                           | Digital Wide Dynamic Range   | NA   |                               |
|                           | Second Video Output          | 1.0Vp-p Composite, 75Ω (BNC)   |                               |
|                           | Signal to Noise Ratio        | More than 50dB (AGC off)   |                               |
|                           | Mechanical IR Cut Filter     | NA   |                               |
|                           | IR LED ; Working Distance    | NA   |                               |
|                           | <b>Function</b>              | Menu   | Can Be Set Via Browser        |
|                           |                              | Day&Night Mode   | Color / B&W / Auto / External |
| Auto Electronic Shutter   |                              | 1/100,000 to 1/7.5 sec.  |                               |
| Manual Electronic Shutter |                              | 1/7.5, 1/15, 1/30, 1/60, 1/100, 1/250, 1/500, 1/1,000,<br>1/10,000, 1/100,000 sec.   |                               |
| White Balance             |                              | Auto_wide / Auto_normal / Sunny / Shadow / Indoor /<br>Lamp / FL1 / FL2  |                               |
| DNR ; Sense Up            |                              | NA ; Yes   |                               |
| Language                  |                              | English / Japanese / Chinese (Traditional, Simplified) / Russian /<br>Hungarian / German / Persian / Spanish / Polish / Dutch                                      |                               |
| Image Setting             |                              | Brightness / Contrast / Saturation / Sharpness / Hue /<br>EV Compensation / AWB / Rotation / Exposure Mode /<br>Exposure Priority / Gain Control / Auto IRIS / BLC |                               |
| Motion Detection          |                              | Yes  |                               |
| Timer Clock               |                              | Yes  |                               |
| Camera Control Interface  |                              | Pelco D, Pelco P, Customer   |                               |
| <b>Network</b>            |                              | Browser  | IE 8.0 or Above               |
|                           |                              | Ethernet   | 10/100M Auto Negotiation      |
|                           |                              | Bit Rate Transmission  | 64 up to 12,000 Kbps          |
|                           | Supported Protocols          | TCP, UDP, HTTP, SMTP, FTP, NTP, DNS, DHCP, PPPoE, ARP, UPnP,<br>RTSP, RTP, SNMP, TRAP, Ethernet (RJ-45 Wired 10/100 Base-TX)                                       |                               |
|                           | Video Streaming              | H.264, MPEG4 and M-JPEG Dual/Triple Streaming  |                               |
|                           | Audio Streaming              | Two-way Audio ; G.711 (μLaw), 8KHz/16KHz Sample Rate   |                               |
|                           | Users                        | Support 9 Users  |                               |
|                           | Security                     | ID/Password Protection   |                               |
|                           | Alarm Trigger                | File Upload via FTP and Email/Notification via Email, HTTP,<br>External Digital Output Activation, micro SD Recording  |                               |
|                           | Multicast                    | Support Multicast Function   |                               |
| <b>General</b>            | Connector                    | RJ45, DC Power, BNC, Reset Button  |                               |
|                           | Alarm In / Alarm Out         | DI/DO  |                               |
|                           | Automatic IRIS ; Connector   | NA   |                               |
|                           | Lens Mount                   | Built-in Board Lens  |                               |
|                           | Lens, Angle of View (H)      | f4.0mm/F1.2/70.4°  |                               |
|                           | Water Resistance             | NA   |                               |
|                           | Max. Breaking Strength       | NA   |                               |
|                           | Power Supply ; Consumption   | 12Vdc ; 4W   |                               |
|                           | Operation ; Storage Temp.    | -10°C ~ 50°C ; -20°C ~ 60°C  |                               |
|                           | Operation ; Storage Humidity | Maximum: RH80% ; RH90%   |                               |
|                           | Dimensions                   | 57.5(DIA)x1.5(H)mm   |                               |
|                           | Net Weight                   | 23g  |                               |
| Accessories Option        | NA                           |  |                               |



### Dimensions



UNIT : mm / TOL : ±0.5



\*Specifications are unfixed and do not apply to customized projects. 130515