

## 3.0 Megapixel (QXGA) WDR IP Vandalproof Camera (Outdoor) SNC-WD2303

- 1 / 2.8" Sony 3.0 Megapixel Progressive Exmor™ CMOS Sensor
- 2048x1536@20fps (QXGA) ; H.264 High Profile, MPEG4, M-JPEG
- Color:0.1Lux@F1.3, B/W:0.01Lux@F1.3, Sense-up:0.001Lux@F1.3
- 2D Noise Reduction & Sense Up
- Motion Detection & Alarm Trigger
- Two-way Audio & Support Multicast
- Support Micro SD/SDHC Card
- Support 12Vdc / PoE Power Input
- Support ONVIF 2.0 and PSIA

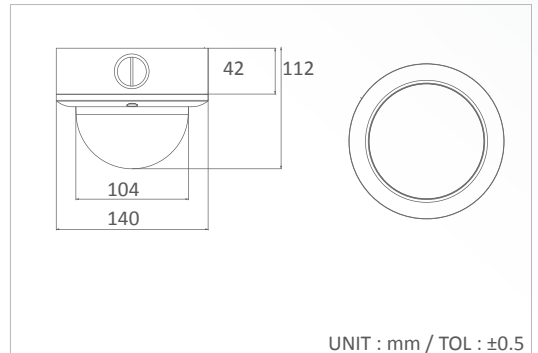


### Specifications

<b>Video</b>	Image Sensor	1 / 2.8" Sony 3.0 Megapixel Progressive Exmor™ CMOS Sensor	
	Video Resolution/Frame Rate	2048x1536@20fps (QXGA) ; 1920x1080@30fps, 1280x1024@30fps, 1280x960@30fps, 1280x720@30fps, 720x480@30fps	
	Video Frame Rate	2048x1536@20fps, Others Up to 30fps	
	Video Compression	H.264 High Profile, MPEG4, M-JPEG	
	Minimum Illumination	Color:0.1Lux@F1.3, B/W:0.01Lux@F1.3, Sense-up:0.001Lux@F1.3	
	Digital Wide Dynamic Range	10 Levels (Adjustable Level Settings)	
	Second Video Output	1.0Vp-p Composite, 75Ω (BNC)	
	Signal to Noise Ratio	More than 58dB (AGC off)	
	Mechanical IR Cut Filter	NA	
	IR LED ; Working Distance	NA	
	<b>Function</b>	Menu	Can Be Set Via Browser
Day&Night Mode		Color / B&W / Auto / External	
Auto Electronic Shutter		1/100,000 to 1/2 sec.	
Manual Electronic Shutter		1/2, 1/4, 1/8, 1/15, 1/30, 1/60, 1/120, 1/250, 1/500, 1/750, 1/1,000, 1/1,500, 1/2,000, 1/10,000, 1/100,000 sec.	
White Balance		Auto_wide / Auto_normal / Sunny / Shadow / Indoor / Lamp / FL1 / FL2	
DNR ; Sense Up		2D DNR ; Yes	
Language		English / Japanese / Chinese (Traditional, Simplified) / Russian / Hungarian / German / Persian / Spanish / Polish / Dutch	
Image Setting		Brightness / Contrast / Saturation / Sharpness / DeNoise / EV Compensation / AWB / WDR / Rotation / Exposure Mode / Exposure Priority / Auto IRIS / Wide Dynamic Range	
Motion Detection		Yes	
Timer Clock		Yes	
Camera Control Interface		Pelco D, Pelco P, Customer	
<b>Network</b>		Browser	IE 8.0 or Above
		Ethernet	10/100M Auto Negotiation
		Bit Rate Transmission	64 up to 12,000 Kbps
		Supported Protocols	TCP, UDP, HTTP, SMTP, FTP, NTP, DNS, DHCP, PPPoE, ARP, UPnP, RTSP, RTP, SNMP, TRAP, Ethernet (RJ-45 Wired 10/100 Base-TX)
	Video Streaming	H.264, MPEG4 and M-JPEG Dual/Triple Streaming	
	Audio Streaming	Two-way Audio ; G.711 (μLaw), 8KHz/16KHz Sample Rate	
	Users	Support 9 Users	
	Security	ID/Password Protection	
	Alarm Trigger	File Upload via FTP and Email/Notification via Email, HTTP, External Digital Output Activation, micro SD Recording	
	Multicast	Support Multicast Function	
	<b>General</b>	Connector	Audio, RJ45/PoE, Power, BNC, Reset, RS485, Micro SD Slot
Alarm In / Alarm Out		DI/DO	
Automatic IRIS ; Connector		DC	
Lens Mount		Built-in DC Auto IRIS Lens	
Lens, Angle of View (H)		f3.0~10mm/F1.3 Aspherical Megapixel Varifocal Lens/95.6°~28.8°	
Water Resistance		IP66	
Max. Breaking Strength		656.1 Kgf	
Power Supply ; Consumption		12Vdc / PoE ; 4W	
Operation ; Storage Temp.		-10°C ~ 50°C ; -20°C ~ 60°C	
Operation ; Storage Humidity		Maximum: RH80% ; RH90%	
Dimensions		140(DIA)x112(H)mm	
Net Weight	950g		
Accessories Option	Wall Bracket:MTB-413 ; Ceiling Bracket:MTB-504		



### Dimensions



### Option



\*Specifications are unfixed and do not apply to customized projects. 130328