

3.0 Megapixel (QXGA) WDR IP Speed Dome Camera (18X)

SNC-WD91M3018

SNC-WD82M3018, SNC-WD81M3018

- 2048x1536@20fps (QXGA) ; H.264 High Profile, MPEG4, M-JPEG
- Color:0.2Lux@F1.4, B/W:0.01Lux@F1.4, Sense-up:0.001Lux@F1.4
- 2.5 Megapixel Lens, Optical 18X, Auto Focus, Auto IRIS Zoom Lens
- 2D/3D Noise Reduction & Sense Up
- Motion Detection & Alarm Trigger
- Two-way Audio & Support Multicast
- Support 24Vdc/24Vac
- Support ONVIF 2.0 and PSIA

Wide Dynamic



SNC-WD91M3018



SNC-WD82M3018



SNC-WD81M3018

Mechanical IR Cut Filter (ICR)



3.0MP CMOS Sensor



B/W 0.01 Lux



3D/2D DNR



Sense Up



Motion Detection



Two Way Audio



Multicast



Home Function



255 Preset Points



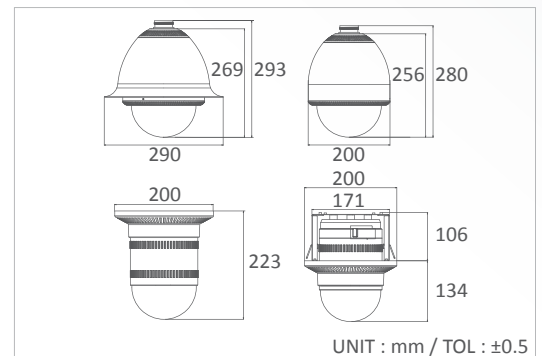
Auto Focus

Features

		SNC-WD91M3018 / SNC-WD82M3018 / SNC-WD81M3018	
Video	Image Sensor	1 / 2.8" Sony 3.0 Megapixel Progressive Exmor™ CMOS Sensor	
	Video Resolution/Frame Rate	2048x1536@20fps (QXGA) ; 1920x1080@30fps, 1280x1024@30fps, 1280x960@30fps, 1280x720@30fps, 720x480@30fps	
	Video Frame Rate	2048x1536@20fps, Others Up to 30fps	
	Video Compression	H.264 High Profile, MPEG4, M-JPEG	
	Minimum Illumination	Color:0.2Lux@F1.4, B/W:0.01Lux@F1.4, Sense-up:0.001Lux@F1.4	
	Digital Wide Dynamic Range	10 Levels (Adjustable Level Settings)	
	Second Video Output	1.0Vp-p Composite, 75Ω (BNC)	
	Signal to Noise Ratio	More than 58dB (AGC off)	
	Mechanical IR Cut Filter	Automatically Switches (B/W Mode<2Lux, Color Mode>5Lux) ; External IR LED ; Working Distance	
	Compatible with Infrared Illuminator		
Function	Menu	Can Be Set Via Browser	
	Day&Night Mode	Color / B&W / Auto / External	
	Auto Electronic Shutter	1/100,000 to 1/2 sec	
	Manual Electronic Shutter	1/2, 1/4, 1/8, 1/15, 1/30, 1/60, 1/120, 1/250, 1/500, 1/750, 1/1,000, 1/1,500, 1/2,000, 1/10,000, 1/100,000 sec.	
	White Balance	Auto_wide / Auto_normal / Sunny / Shadow / Indoor / Lamp / FL1 / FL2	
	DNR ; Sense Up	2D/3D DNR ; Yes	
	Language	English / Japanese / Chinese (Traditional, Simplified) / Russian / Hungarian / German / Persian / Spanish / Polish / Dutch	
	Image Setting	Brightness / Contrast / Saturation / Sharpness / DeNoise / EV Compensation / AWB / WDR / Rotation / Exposure Mode / Exposure Priority / Auto IRIS / Wide Dynamic Range	
	Motion Detection	Yes	
	Timer Clock	Yes	
	Camera Control Interface	Pelco D, Pelco P, Customer	
	Network	Browser	IE 8.0 or Above
		Ethernet	10/100M Auto Negotiation
		Bit Rate Transmission	64 up to 12,000 Kbps
		Supported Protocols	TCP, UDP, HTTP, SMTP, FTP, NTP, DNS, DHCP, PPPoE, ARP, UPnP, RTSP, RTP, SNMP, TRAP, Ethernet (RJ-45 Wired 10/100 Base-TX)
Video Streaming		H.264, MPEG4 and M-JPEG Dual/Triple Streaming	
Audio Streaming		Two-way Audio ; G.711 (μLaw), 8KHz/16KHz Sample Rate	
Users		Support 9 Users	
Security		ID/Password Protection	
Control	Alarm Trigger	File Upload via FTP and Email/Notification via Email, HTTP, External Digital Output Activation, micro SD Recording	
	Multicast	Support Multicast Function	
	Controls	PAN / TILT, LENS	
	Auto Pan	Yes	
	Tour Pattern	1 Group (accommodates preset #1~#10)	
	Home Function	Yes	
	System Memory	Yes	
	Panning Range & Speed	360°Continuous ; 0.2°~240°/sec.	
	Tilt Range & Speed	0°~90° ; 0.2°~120°/sec.	
	Pan, Tilt Accuracy	±0.02°	
Preset Positions	255 Positions		
General	Connector	RJ45, Power, BNC	
	Lens	2.5M Lens 18X Optical Zoom f4.7mm(Wide)~84.6mm(Tele), F1.4 to F3.5	
	Angle of View	H:55.2°(Wide)~3.2°(Tele)	
	Minimum Working Distance	1m	
	Focusing System	AUTO / MANUAL / PUSH AF	
	Water Resistance	SNC-WD91M3018:IP66, SNC-WD82M3018:IP66	
	Max. Breaking Strength	NA	
	Power Supply ; Consumption	24Vdc / 24Vac	
	Operation ; Storage Temp.	-10°C ~ 50°C ; -20°C ~ 60°C	
	Operation ; Storage Humidity	Maximum: RH80% ; RH90%	
Dimensions	290x293mm / 200x280mm / 200x223mm		
Net Weight	4.05kg / 3.35kg / 2.55kg		
Accessories Option	MTB-901A, MTB-901B, MTB-902, MTB-904, MTB-905, MTB-906		

*Specifications are unfixed and do not apply to customized projects. 130610

Dimensions



Option

