

3.0 Megapixel (QXGA) WDR IP IR Vandalproof Camera (Outdoor) SNC-WDL2303M

- 1 / 2.8" Sony 3.0 Megapixel Progressive Exmor™ CMOS Sensor
- 2048x1536@20fps (QXGA) ; H.264 High Profile, MPEG4, M-JPEG
- 0.0001Lux (IR LEDs on at 2 Lux)
- 2D Noise Reduction & Sense Up
- Motion Detection & Alarm Trigger
- Two-way Audio & Support Multicast
- Support Micro SD/SDHC Card
- Support 12Vdc / PoE Power Input
- Support ONVIF 2.0 and PSIA



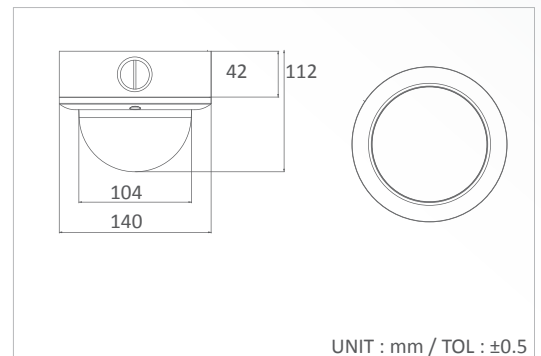
Specifications

Video	Image Sensor	1 / 2.8" Sony 3.0 Megapixel Progressive Exmor™ CMOS Sensor	
	Video Resolution/Frame Rate	2048x1536@20fps (QXGA) ; 1920x1080@30fps, 1280x1024@30fps, 1280x960@30fps, 1280x720@30fps, 720x480@30fps	
	Video Frame Rate	2048x1536@20fps, Others Up to 30fps	
	Video Compression	H.264 High Profile, MPEG4, M-JPEG	
	Minimum Illumination	0.0001Lux (IR LEDs on at 2 Lux)	
	Digital Wide Dynamic Range	10 Levels (Adjustable Level Settings)	
	Second Video Output	1.0Vp-p Composite, 75Ω (BNC)	
	Signal to Noise Ratio	More than 58dB (AGC off)	
	Mechanical IR Cut Filter	Automatically Switches (B/W Mode<2Lux, Color Mode>5Lux)	
	IR LED ; Working Distance	30 units (IR LEDs on<2Lux, IR LEDs off>5Lux) ; 10~20m	
Function	Menu	Can Be Set Via Browser	
	Day&Night Mode	Color / B&W / Auto / External	
	Auto Electronic Shutter	1/100,000 to 1/2 sec.	
	Manual Electronic Shutter	1/2, 1/4, 1/8, 1/15, 1/30, 1/60, 1/120, 1/250, 1/500, 1/750, 1/1,000, 1/1,500, 1/2,000, 1/10,000, 1/100,000 sec.	
	White Balance	Auto_wide / Auto_normal / Sunny / Shadow / Indoor / Lamp / FL1 / FL2	
	DNR ; Sense Up	2D DNR ; Yes	
	Language	English / Japanese / Chinese (Traditional, Simplified) / Russian / Hungarian / German / Persian / Spanish / Polish / Dutch	
	Image Setting	Brightness / Contrast / Saturation / Sharpness / DeNoise / EV Compensation / AWB / WDR / Rotation / Exposure Mode / Exposure Priority / Auto IRIS / Wide Dynamic Range	
	Motion Detection	Yes	
	Timer Clock	Yes	
	Camera Control Interface	Pelco D, Pelco P, Customer	
	Network	Browser	IE 8.0 or Above
		Ethernet	10/100M Auto Negotiation
Bit Rate Transmission		64 up to 12,000 Kbps	
Supported Protocols		TCP, UDP, HTTP, SMTP, FTP, NTP, DNS, DHCP, PPPoE, ARP, UPnP, RTSP, RTP, SNMP, TRAP, Ethernet (RJ-45 Wired 10/100 Base-TX)	
Video Streaming		H.264, MPEG4 and M-JPEG Dual/Triple Streaming	
Audio Streaming		Two-way Audio ; G.711 (μLaw), 8KHz/16KHz Sample Rate	
Users		Support 9 Users	
Security		ID/Password Protection	
Alarm Trigger		File Upload via FTP and Email/Notification via Email, HTTP, External Digital Output Activation, micro SD Recording	
Multicast		Support Multicast Function	
General		Connector	Audio, RJ45/PoE, Power, BNC, Reset, RS485, Micro SD Slot
	Alarm In / Alarm Out	DI/DO	
	Automatic IRIS ; Connector	DC	
	Lens Mount	Built-in DC Auto IRIS Lens	
	Lens, Angle of View (H)	f3.0~10mm/F1.3 Aspherical Megapixel Varifocal D/N Lens/95.6°~28.8°	
	Water Resistance	IP66	
	Max. Breaking Strength	656.1 Kgf	
	Power Supply ; Consumption	12Vdc / PoE (Only Work with Full Power PoE Switch, 15W/CH) ; 9W	
	Operation ; Storage Temp.	-10°C ~ 50°C ; -20°C ~ 60°C	
	Operation ; Storage Humidity	Maximum: RH80% ; RH90%	
	Dimensions	140(DIA)x112(H)mm	
Net Weight	1,000g		
Accessories Option	Wall Bracket:MTB-413 ; Ceiling Bracket:MTB-504		

Mechanical IR Cut Filter (ICR)
Outdoor, Vandalproof
3-axis Gimbal Mechanism

- Megapixel: 3.0MP CMOS Sensor
- 0.0001 Lux
- 2D DNR
- Sense Up
- Motion Detection
- Two Way Audio
- Multicast
- Support microSD/SDHC
- Support PoE
- IP 66

Dimensions



Option



*Specifications are unfixed and do not apply to customized projects. 130328